

Positive Displacement Gas Boost Systems

(Patent Pending)

Model PDGB gas boost systems from [action blower & equipment](#) provide a complete turnkey solution for applications in which the available gas pressure is not adequate to meet the required demand.

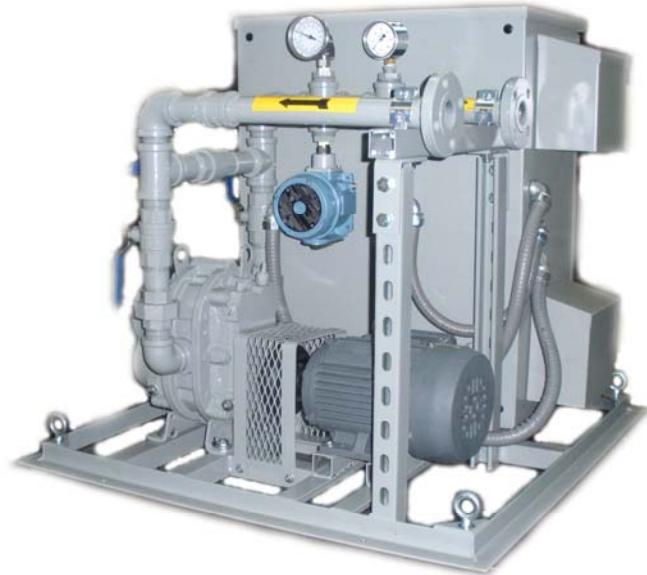
The PDGB systems utilize *green booster* technology with a gas tight positive displacement blower direct driven by a NEMA Premium Efficient inverter duty electric motor. The systems use a pressure indicator to sense the gas pressure being delivered. Based on the sensed pressure, a variable frequency drive adjusts the speed of the motor to deliver the required amount of gas.



Features

The standard system includes the following:

- Gas tight positive displacement blower
- Inverter duty TEFC motor rated for Class 1 Div 2
- Motor direct coupled to blower with guard
- Explosion proof pressure indicator
- Explosion proof high temperature shut down switch
- Pressure and temperature gauges
- Manual blower bypass valves
- 150 lb flange inlet and discharge connections
- Control panel with PID controller, VFD, fused disconnect switch, and controls for operation
- Steel base with lift hooks
- Standard systems are available in pipe sizes ranging from 1-1/2" to 6"
- Motor sizes range from 1.5 HP to 40 HP
- Standard systems for use in open areas include a single envelope gas tight blower and NEMA 3R control panel
- Standard systems for use in enclosed areas include a double envelope gas tight blower and NEMA 1 control panel
- Custom options available upon request



Advantages

- Complete turnkey solution. Simply connect gas to inlet and discharge and connect electrical input power.
- Low maintenance - blower is oil lubricated, motor lubrication not required.
- Low energy consumption - blower only runs as required to meet demand.

 action blower & equipment

PO Box 2396
Littleton, CO 80161-2396
o 303.975.1660
f 303.975.1663
www.actionblower.com
sales@actionblower.com

System Selection

Systems are sized based on:

- Available pressure
- Required pressure
- Required flow

Sizing Chart

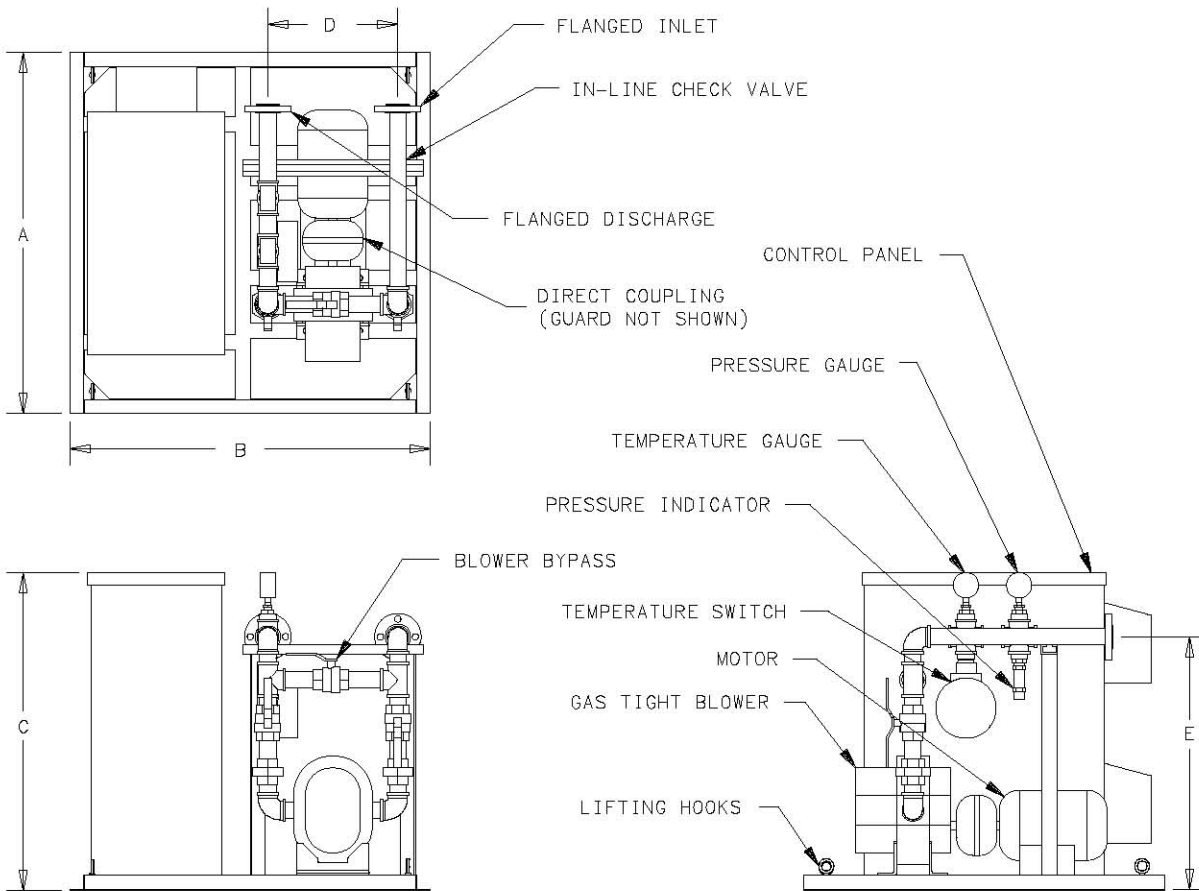
Pipe Size	Blower	Max flow / HP @ 20" H2O Boost	Max flow / HP @ 2 PSI Boost	Max flow / HP @ 5 PSI Boost	Max flow / HP @ 10 PSI Boost
1-1/2"	3202	78 CFM / 3 HP	71 CFM / 3 HP	60 CFM / 5 HP	48 CFM / 7.5 HP
2"	3204	128 CFM / 3 HP	117 CFM / 5 HP	100 CFM / 7.5 HP	82 CFM / 10 HP
3"	3206	193 CFM / 3 HP	178 CFM / 5 HP	155 CFM / 7.5 HP	128 CFM / 15 HP
4"	3210	325 CFM / 5 HP	301 CFM / 7.5 HP	266 CFM / 10 HP	226 CFM / 20 HP
	4009	472 CFM / 5 HP	443 CFM / 10 HP	400 CFM / 15 HP	351 CFM / 30 HP
	4012	635 CFM / 7.5 HP	600 CFM / 10 HP	547 CFM / 20 HP	487 CFM / 40 HP
6"	5507	746 CFM / 7.5 HP	711 CFM / 15 HP	659 CFM / 25 HP	601 CFM / 40 HP

- "Boost" = Required pressure - available pressure
- Values listed above are for reference only. [action blower & equipment](#) should be consulted to verify proper sizing.
- Larger custom units and high pressure units are available upon request
- Duplex units are also available upon request
- UL listed control panel available as an option



PO Box 2396
Littleton, CO 80161-2396
o 303.975.1660
f 303.975.1663
www.actionblower.com
sales@actionblower.com

Dimensions



Pipe Size	Dim "A"	Dim "B"	Dim "C"	Dim "D"	Dim "E"
1-1/2"	38	38	32	15	25
2"	40	40	32	17	26
2-1/2"	45	45	32	19	27
3"	56	48	32	21	28
4"	62	48	32	24	29
6"	62	56	32	32	30

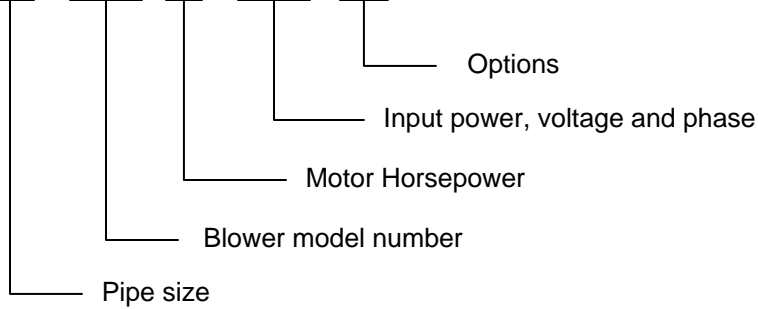
- Values shown are approximate and should not be used for construction
- All dimensions are listed in inches

ab action blower & equipment

PO Box 2396
 Littleton, CO 80161-2396
 o 303.975.1660
 f 303.975.1663
 www.actionblower.com
 sales@actionblower.com

Part Number Configuration

Example: PDGB150—3202—02—2081—AA



Pipe Sizes
1-1/2"
2"
2-1/2"
3"
4"
6"

Blower Models
3202
3204
3206
3210
4009
4012
5507

Motor HP
1.5
2
3
5
7.5
10
15
20
25
30
40

Input Power
208V 1Ø
240V 1Ø
208V 3Ø
240V 3Ø
480V 3Ø

Options
AA - Single envelope gas tight blower, NEMA 3R enclosure (for use in open area)
AB - Double envelope gas tight blower, NEMA 1 enclosure (for use in enclosed area)
Consult action blower & equipment for additional options

- Refer to sizing chart for standard combinations of pipe size, blower model, and motor horsepower
- For complete ordering information, please consult [action blower & equipment](#)

 action blower & equipment

PO Box 2396
 Littleton, CO 80161-2396
 o 303.975.1660
 f 303.975.1663
 www.actionblower.com
 sales@actionblower.com